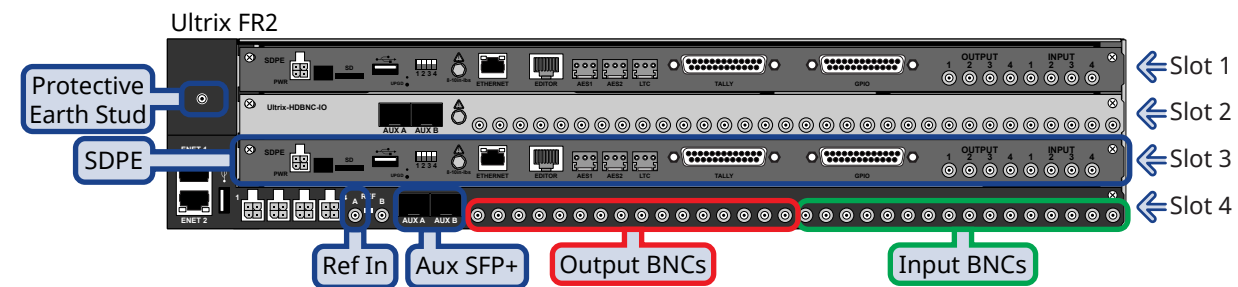
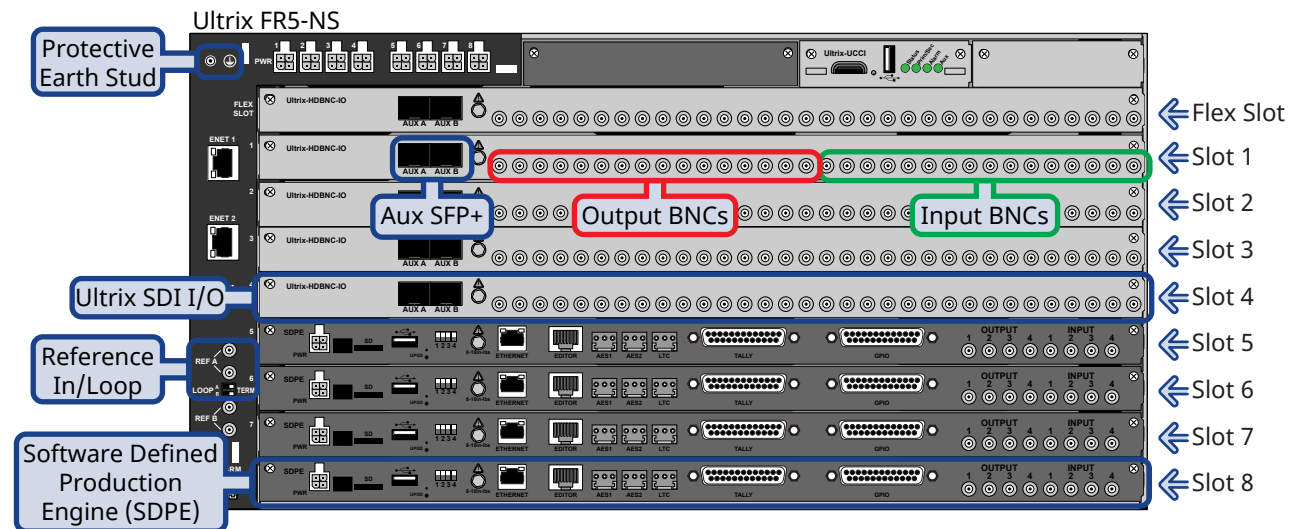


## Ultrix Frames

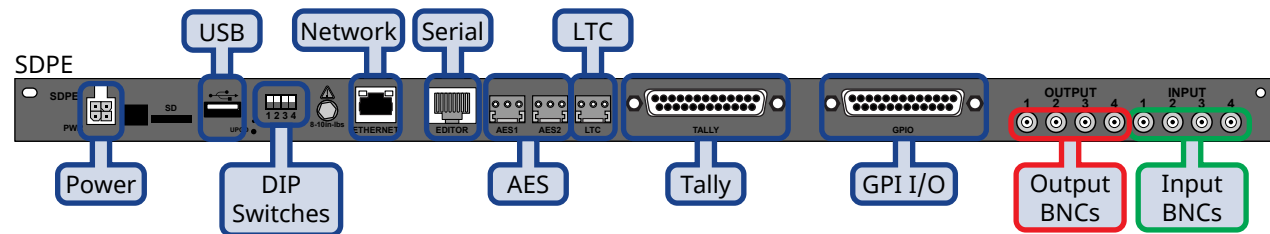
**NOTICE** Adequate ventilation within a rack frame must be maintained. Ensure side to side ventilation is not compromised. Refer to the Ultrix Installation Guide for more information.

### Notes:

- The Ultrix FR12, FR5-NS, and FR2 frames support multiple Carbonite switcher platforms at once.
- The switcher uses the Reference input to Ultrix for timing.
- The input and output BNCs on the SDPE blade are mapped to physical inputs and outputs 19-22 on the switcher.
- Physical sources and destinations on the router must be mapped internally to inputs and outputs on the switcher.
- The Ultrix SDI I/O blade is used to provide sources and destinations that the switcher can access.
- The REF B connection is not supported at this time.
- A 1GbE ethernet connection is required for Ultrix.
- An Ultricool may be required, depending on your installation.
- The Ultrix FR12 frame can support up to 8 SDPE blades, the FR5-NS can support up to 4 SDPE blades, and the FR2 can support up to 2 SDPE blades.
- The Protective Earth Stud may not be present on all frames.



## SDPE (Software Defined Production Engine)

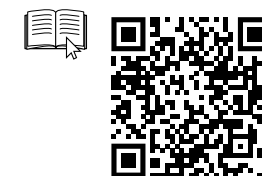
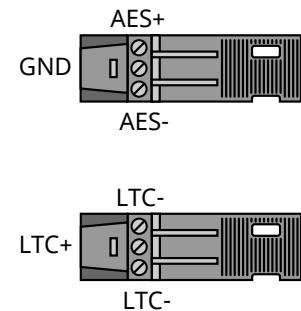


**CAUTION!** Electrical shock hazard. The Power connector (PWR) must always be disconnected when the SDPE blade is not installed in the frame.





### Notes:

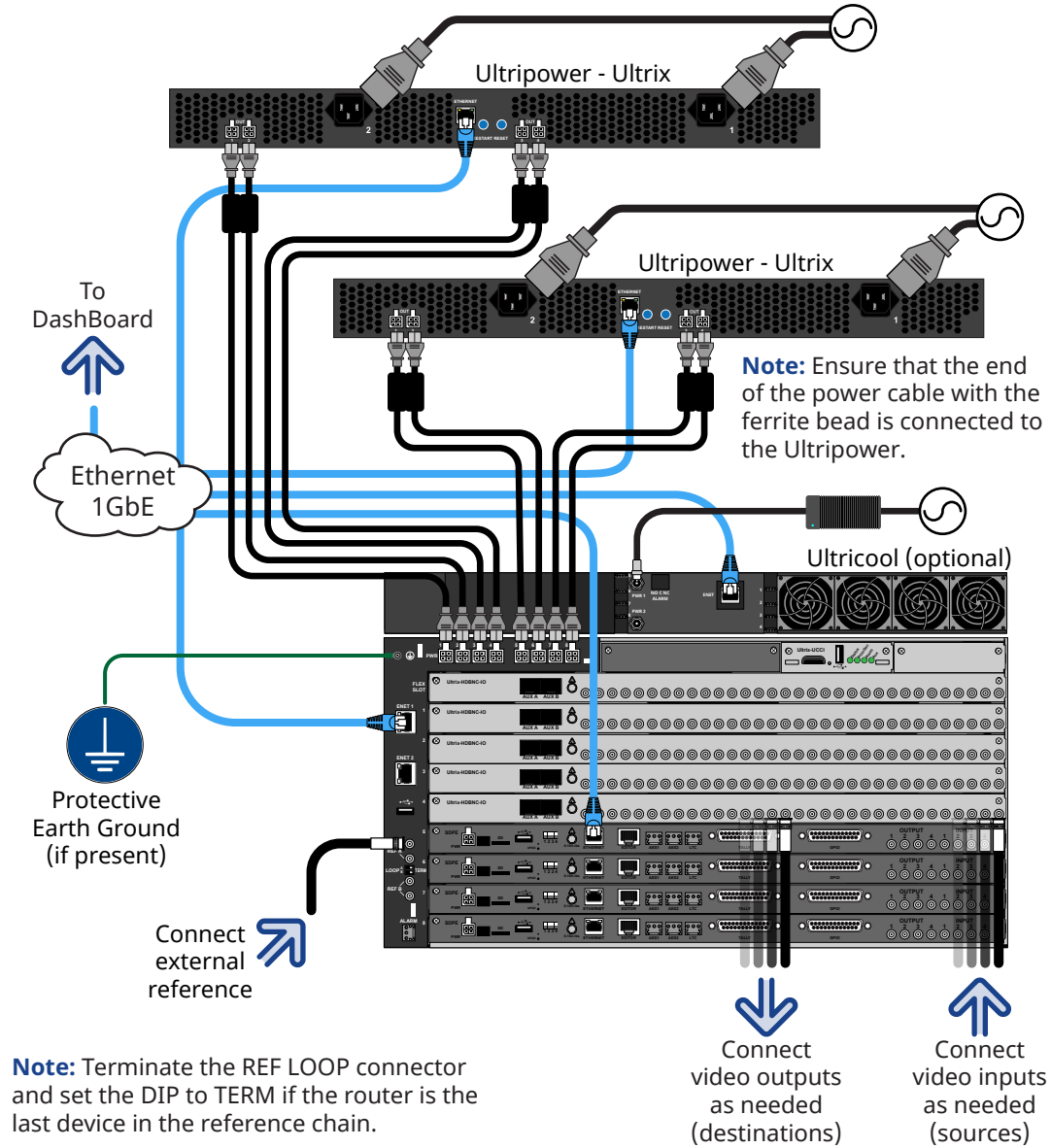
- The switcher is made up of a single SDPE blade. Each SDPE blade provides an independent Carbonite switcher.
- The number of SDPE blades a system can have depends on the size of the Ultrix frame and the other blades that are installed.
- Each SDPE blade is independent of the others. If you upgrade one to a different version of software, that upgrade is not pushed to the other SDPE blades.
- The GPI and Tally ports on each SDPE blade are independent of each other.


Tally (female DB25)				GPI I/O (female DB25)			
Pin	Tally	Pin	Tally	Pin	GPI	Pin	GPI
1	1	14	14	1	I/O 1	14	I/O 14
2	2	15	15	2	I/O 2	15	I/O 15
3	3	16	16	3	I/O 3	16	I/O 16
4	4	17	17	4	I/O 4	17	I/O 17
5	5	18	18	5	I/O 5	18	I/O 18
6	6	19	19	6	I/O 6	19	I/O 19
7	7	20	20	7	I/O 7	20	I/O 20
8	8	21	21	8	I/O 8	21	I/O 21
9	9	22	22	9	I/O 9	22	I/O 22
10	10	23	23	10	I/O 10	23	I/O 23
11	11	24	24	11	I/O 11	24	I/O 24
12	12	25	Common	12	I/O 12	25	Ground
13	13			13	I/O 13		



## Power and Cabling

-  Read the instruction manual for your Ultripower and Ultrix FR12, FR5-NS, or FR2 before starting work or operating equipment.
-  **CAUTION!** Risk of electrical shock. Enclosure shall be connected to earth ground via protective earth stud and 18AWG conductor or larger.
-  **NOTICE** The Ultrix frame and SDPE blades do not have power switches. Ensure that the Ultripower is not connected to mains power before connecting the power cables from the Ultripower to the other components. This prevents part of the system from powering up before you are ready.
-  **NOTICE** The Ultrix FR5-NS frame requires multiple Ultripower units to be tied together in a group to provide power to the router at the *same time*. The Ultripower group and Manager must be set up before connecting power to the system. Refer to the documentation for your Ultripower for information on setting up groups and using the Manager.



 Having a problem? Call our free, 24-hour technical support hotline to speak with a live product specialist located right here in our facility.

Tel (North America): 1-844-652-0645  
 Tel (International): +800 1005 0100  
 Email: techsupport@rossvideo.com

