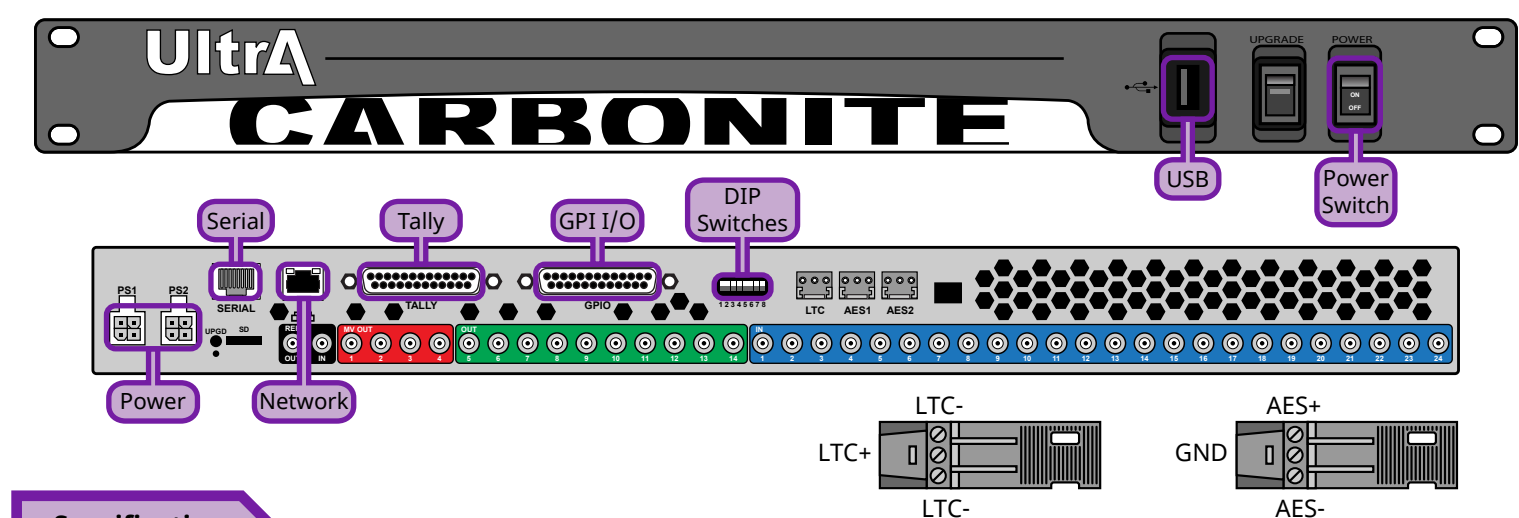


Ports, Pinouts, and Diagnostics



GPI I/O
(female DB25)

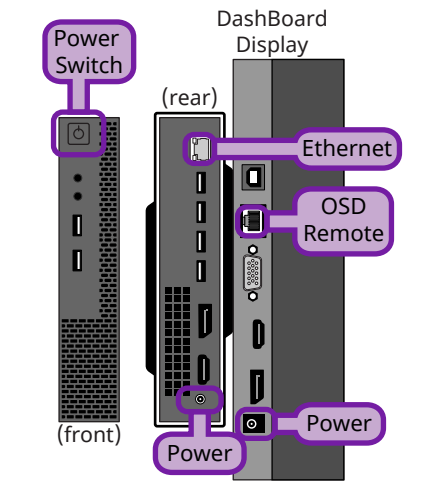
Pin	GPI	Pin	Signal
1	I/O 1	14	I/O 14
2	I/O 2	15	I/O 15
3	I/O 3	16	I/O 16
4	I/O 4	17	I/O 17
5	I/O 5	18	I/O 18
6	I/O 6	19	I/O 19
7	I/O 7	20	I/O 20
8	I/O 8	21	I/O 21
9	I/O 9	22	I/O 22
10	I/O 10	23	I/O 23
11	I/O 11	24	I/O 24
12	I/O 12	25	Ground
13	I/O 13		

Tally
(female DB25)

Pin	Tally	Pin	Tally
1	1	14	14
2	2	15	15
3	3	16	16
4	4	17	17
5	5	18	18
6	6	19	19
7	7	20	20
8	8	21	21
9	9	22	22
10	10	23	23
11	11	24	24
12	12	25	Common
13	13		

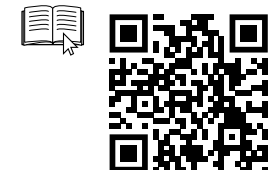
Serial
(female RJ-45)

Pin	RS-422
1	Tx+
2	Tx-
3	Rx+
4	n/c
5	n/c
6	Rx-
7	Ground
8	Ground



Specifications

SDI Input Formats	Default Values	Max Power Consumption	Video Input Specifications	Video Output Specifications	AES Output Specifications
480i 59.94Hz	Frame IP 192.168.0.123	Consumption 114W 7.6A 15V	Equalization >40m @ 12Gb/s	Return Loss < -7.8dB @ 12Gb/s	Audio Depth 24-bit in HD
576i 50Hz	FTP User name user	Input Voltage 100-120V~	(using Belden 1694 cable) >100m @ 1.5 Gb/s	< -15dB @ 1.5Gb/s	20-bit in SD
720p 50/59.94Hz	FTP Password password	220-240V~	>300m @ 270 Mb/s (5°-40°C)	< -10dB @ 3Gb/s	Channels 1 Stereo Pair
1080i 50/59.94Hz		47-63Hz	Impedance 75 ohm, terminating	Rise and Fall Time 27ps +/- 10% (UHD)	File Format Multi-Channel
1080pSF 23.98/24/25/29.97Hz			Video Inputs SMPTE 259M/292M serial digital (non-looping)	800ps +/- 10% (SD)	Waveform Audio File
1080p 23.98/24/25/30/29.97/30/50 (A)/59.94 (A)/60Hz	Tally Rating		Reference Inputs Standard Definition — analog black (non-terminating, looping)	240ps +/- 10% (HD)	Impedance 110 Ohms, differential
UHDTV1 23.98/24/25/29.97/30/50/59.94/60 (Single-Link 12Gb/s 2SI, Quad-Link 3Gb/s 2SI, Quad-Link 3Gb/s QSD)	Input Voltage: 24VAC (rms) / 40VDC			Signal Level 800mV +/- 10%	Min/Max Output Voltage 1.5/6V peak-to-peak
	Maximum Current: 120mA			DC Offset 0 Volts	Swing
	Impedance: < 15 ohms			Overshoot < 10%	Rise and Fall Times 20ns (typical)
	Temperature			SDI HD Mode 10-bit SMPTE-292M/424M	Sample Rate 48kHz
	Operating: 0 - 40°C (32 - 104°F)			SDI UHD Mode SMPTE ST 2082-1:2015 (1:2016)	Synchronization Locked to Video
	Storage: -20 - 85°C (-4 - 185°F)				



FrameGlow Diagnostics

NORMAL: Normal operation. No warnings. Actual color is user selectable.



BOOTING: Frame hardware is booting up. (cycle from blue to white)



BOOTING: Frame software is booting up. (solid blue)



UPGRADE: Frame is being upgraded. (cycle from yellow to white)



NO NETWORK: Frame cannot detect a network connect. (cycle from purple to green)



WARNING - FAN: Frame fan is not responding. (cycle from red to green)



WARNING: Frame is over-temperature or there is a status warning. (cycle from red to white)

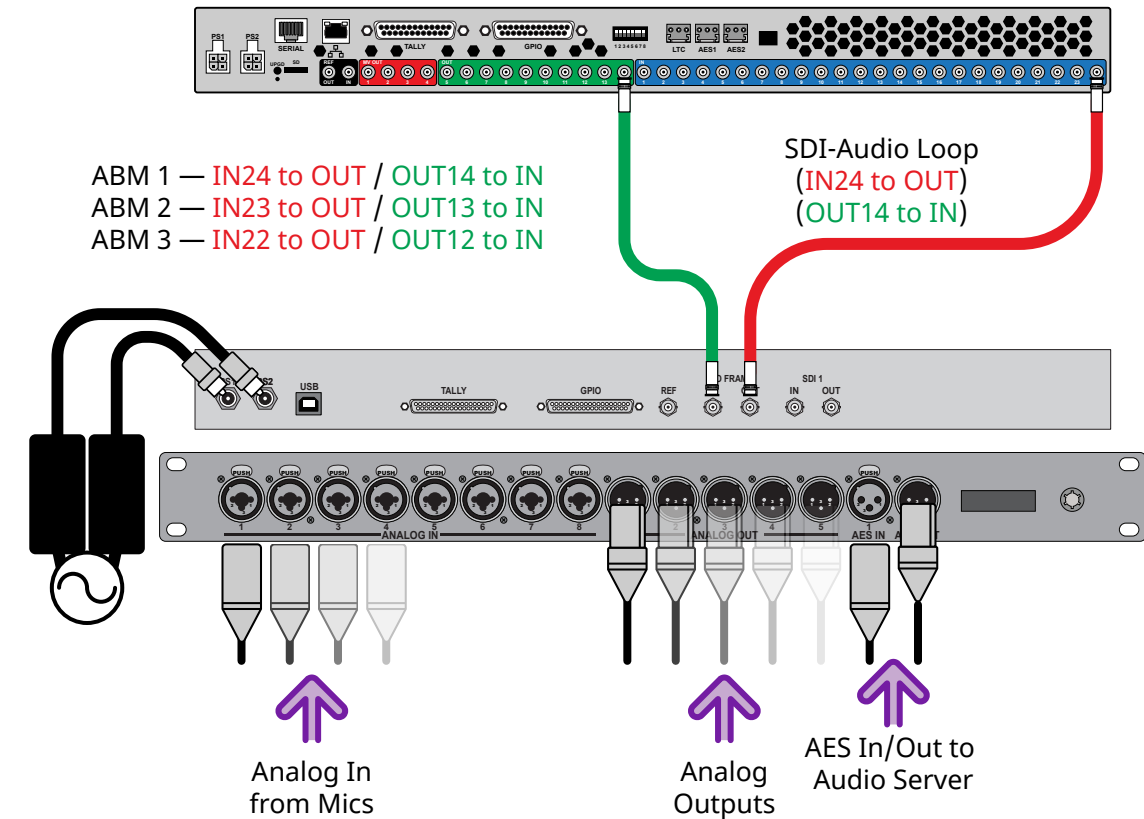


CRITICAL: Frame is critically over-temperature. Auto power-down imminent. (solid red)



1RU Audio Breakout Module (ABM)

Note: Support for the 1RU Audio Breakout Module (ABM) is not available in UHDTV1 at this time.



Important: Ensure that Phantom Power is turned off for the Analog Input unless you are connecting a microphone that requires phantom power. Connecting the line out from an audio device to the analog input with phantom power on could damage the audio device and/or the 1RU Audio Breakout Module. For added safety, a TRS phone connector should be used for line in audio sources.



Mains Power

Note: It is recommended that you always connect the AC Power Adapter to the device before connecting to Mains Power.

Analog Audio Input Specifications	
Input Impedance	XLR: 2K ohm ¼" Jack: 10K ohm
Maximum Level	+24dBu
Frequency Response	±0.3dB (22Hz to 20kHz @ Fs = 48kHz)
Signal to Noise Ratio	-95dB
"A" weighting	-98dB
CCITT weighting	-107dB
THD	>93dB or <0.002%
Amplitude Linearity	<0.8dB @ -100dBFS
Crosstalk	-94dB

Analog Audio Output Specifications	
Maximum Level	+24dBu
Frequency Response	±0.4dB (22Hz to 20kHz @ Fs = 48kHz)
Signal to Noise Ratio	-103dB
THD	>93dB
Amplitude Linearity	<0.3dB @ -100dBFS
Crosstalk	-106dB (20Hz to 20kHz)

Max Power Consumption	
Audio Breakout Module	45W 3.75A 12V



Having a problem? Call our free, 24-hour technical support hotline to speak with a live product specialist located right here in our facility.

Tel: (+1) 613 • 652 • 4886
 Email: techsupport@rossvideo.com