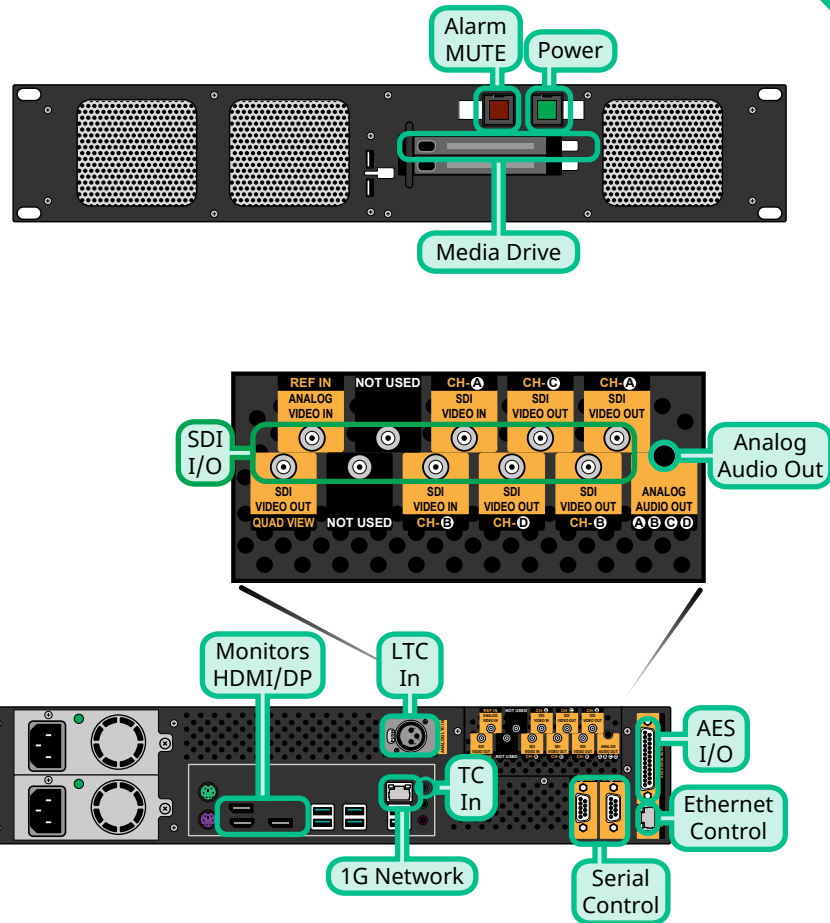


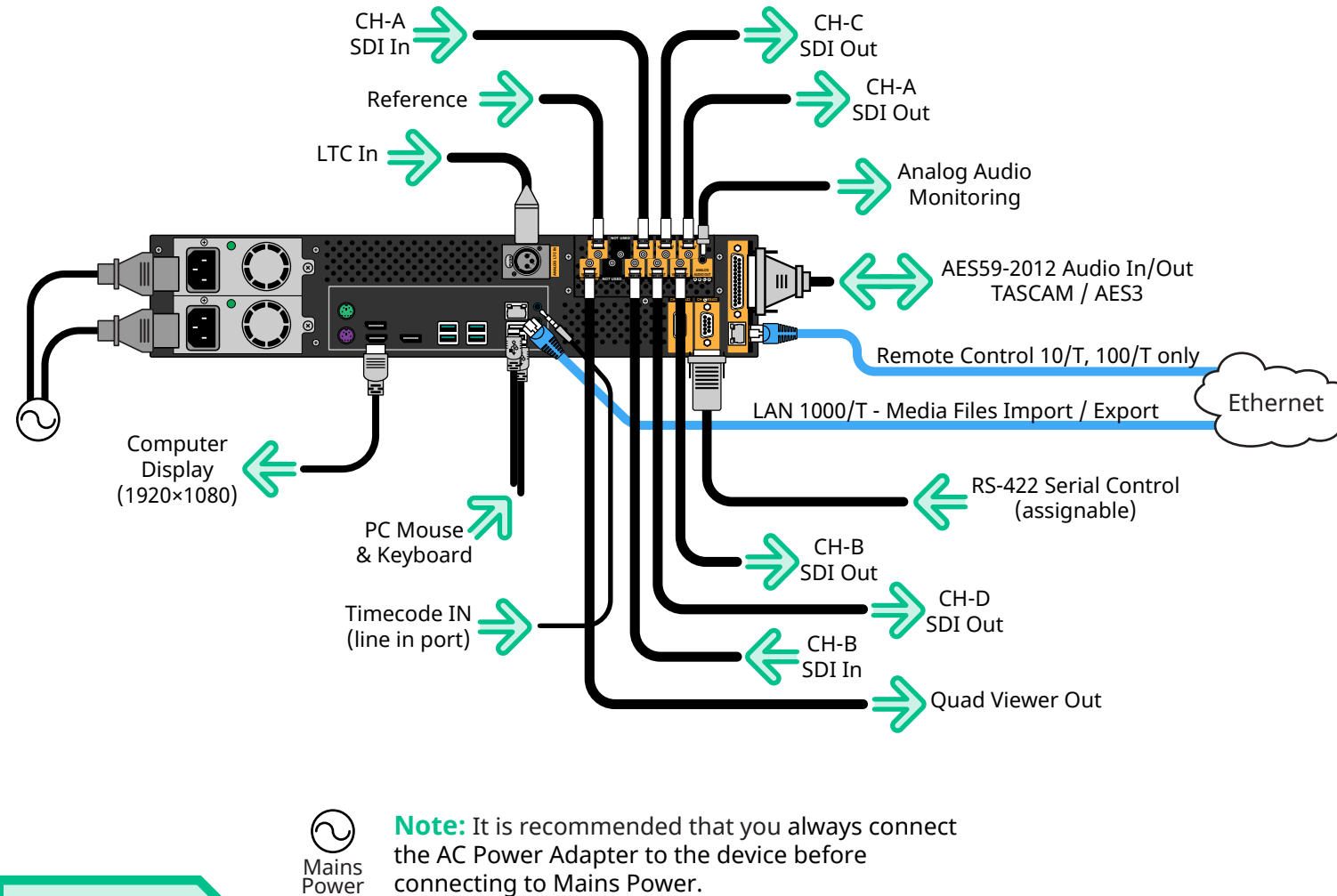
**Caution:** Before you set up and operate your server, see the "Important Safety Instructions" in your User manual.

# Installation and Cabling

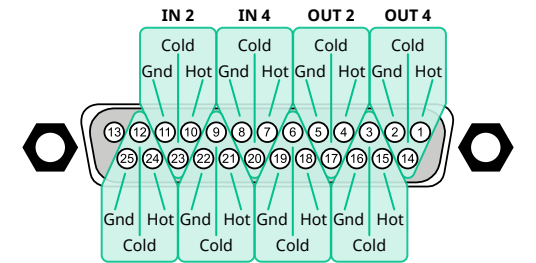
## Ports and Connectors



## Power and Control Cabling



## Port Pinouts



AES59-2012 (TASCAM) AES3 Port

RS422 (RJ45/DB9)	
Pin	Signal
1	Gnd
2	Tx-
3	Rx+
4	Rx Gnd
5	n/c
6	Tx Gnd
7	Tx+
8	Rx-
9	n/c

## Specifications

SDI Video Formats	
720p	50/59.94 Hz
1080i	50/59.94 Hz
1080p	23.98/24/25/29.97/30/50/59.94/60 Hz

Default Passwords	
Windows	Abekas
Administrator	multiflex

Input Voltages	
100 to 240V~	
3 to 1.5A	
60 to 50Hz	

Operating Environment	
Temperature:	20 - 35°C (68 - 95°F)
Humidity:	20 - 80%

Video/Audio Input Specifications	
720p/1080i HD-SDI	SMPTE 292M 10-bit at 1.5Gb/s
1080p HD-SDI	SMPTE 424M 10-bit at 3.0Gb/s
Embedded Audio, HD-SDI	8 Channels, 48kHz at 24-bit
AES Discrete Audio	8 Channels AES59-2012/TASCAM Digital
Reference Input	Tri-Level HD or Composite Analog SD; Terminating
Native Codec	AVC-Intra Class 100 @ 100Mb/s

Video/Audio Output Specifications	
720p/1080i HS-SDI	SMPTE 292M 10-bit at 1.5Gb/s
1080p HD-SDI	SMPTE 424M 10-bit at 3.0Gb/s
Embedded Audio, HD-SDI	8 Channels, 48kHz at 24-bit
AES Audio	8 Channels AES59-2012/TASCAM Digital
Analog Audio Monitoring	3.5mm headphone connector, unbalanced, line-level at -10dBv, 2 Tracks (1 stereo pair), user selectable to monitor any out
Native Codec	AVC-Intra Class 100 @ 100Mb/s

- Notes:**
- Only Channel A and B can record.
  - If you are recording from, or playing into, an external device you must have all devices connected to the same reference signal to ensure proper timing.
  - The Ethernet Control port only supports 10/T or 100/T speeds and is intended for remote control only.
  - The 1G Network port can be used for media file import and export.
  - The TC In (LINE IN) audio port is used for TC Chase.

