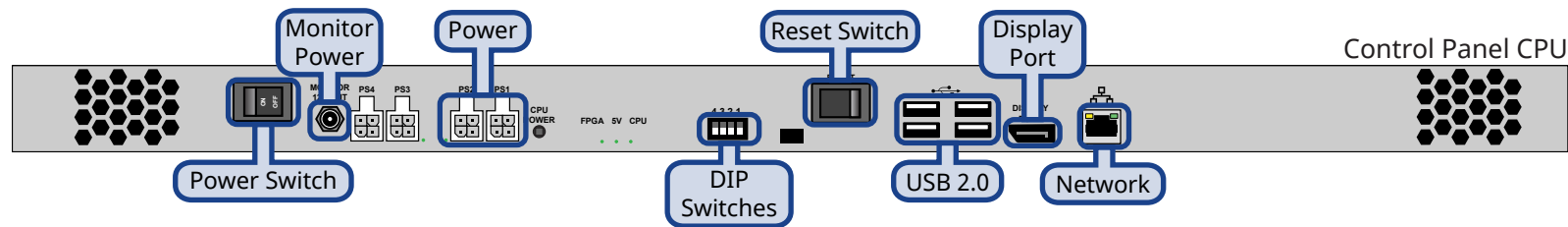


Panel Ports and Connectors

NOTICE The information in this guide applies to the TouchDrive panel 4882AR Series.

NOTICE Only connect certified Ross equipment with Ross provided cables to the Monitor Power port.



Specifications

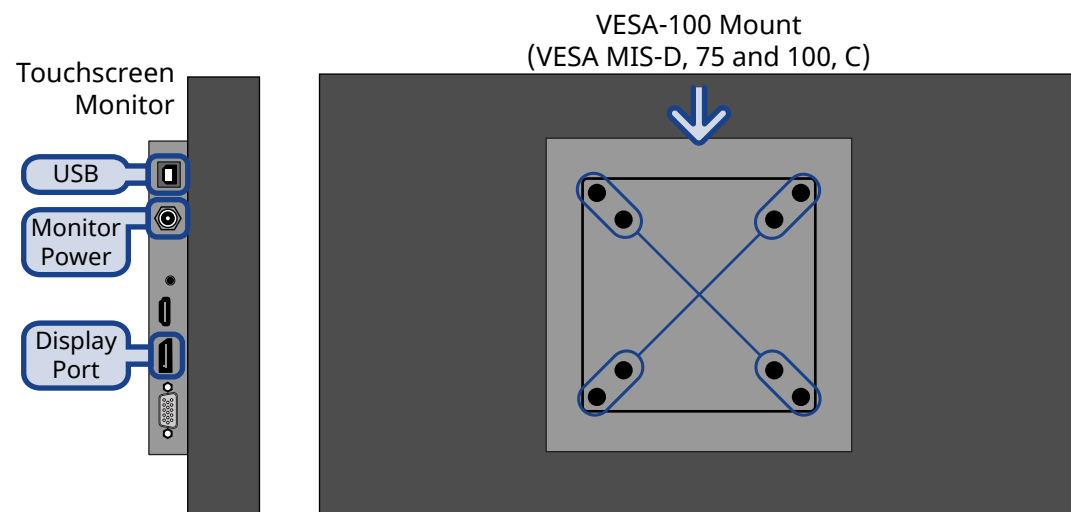
Max Power Consumption		
TD1C	97W	6.47A 15V
TD1	102W	6.80A 15V
TD2	123W	8.20A 15V
TD2S	138W	9.20A 15V
TD3S	173W	11.53A 15V
TD3	220W	14.66A 15V
TDx3	220W	14.66A 15V
TD4	250W	16.66A 15V
TDx4	260W	17.33A 15V

Input Voltages		
All	100 - 120V~	
	220 - 240V~	
	47-63Hz	

Notes:

- There is an additional USB 3.0 port on the side of the backslash on some panels. The ports on the back of the panel are all USB 2.0.
- The ports on the TD1C are in a different position, but have the same function.
- Only a single USB drive can be mounted at a time.

Monitor Ports and Connectors

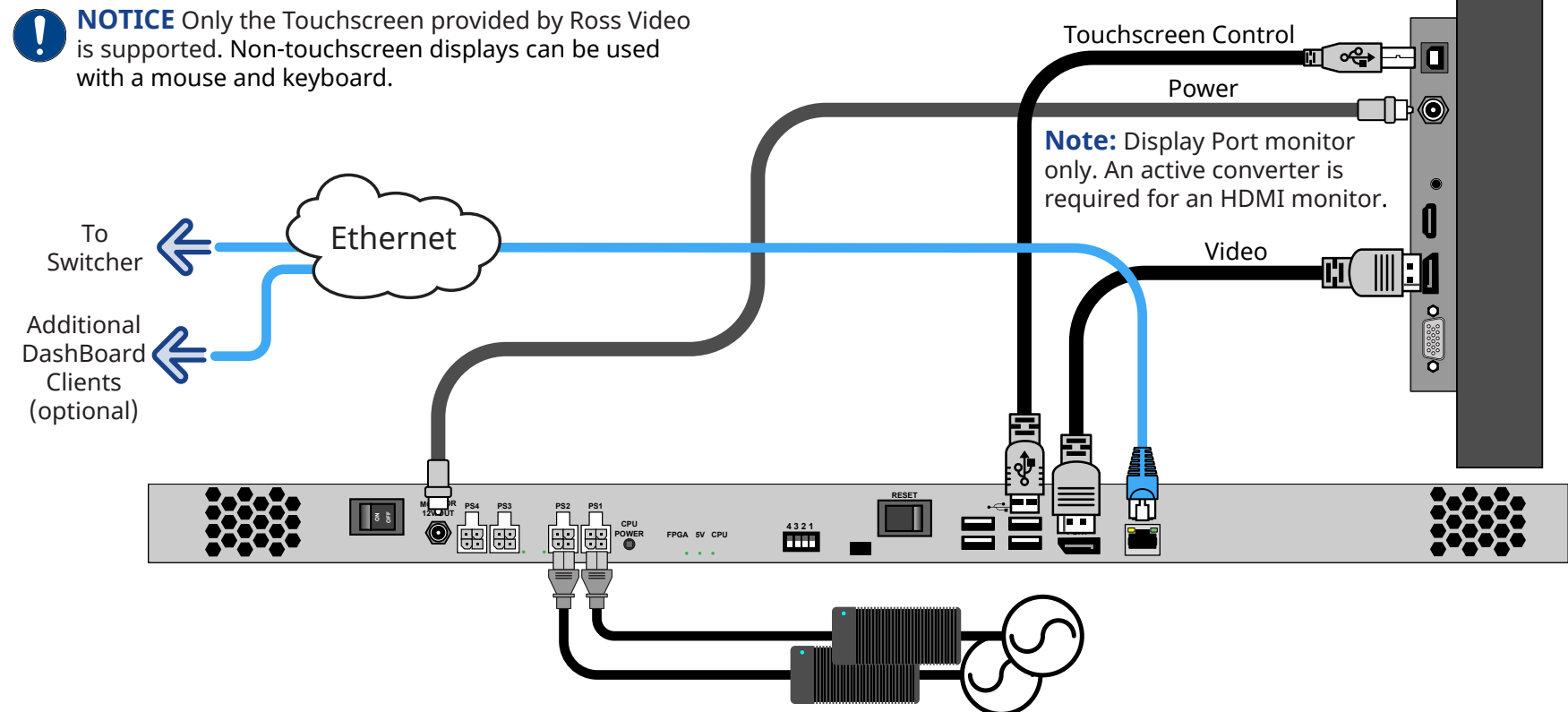


Cabling

CAUTION! Only use the cable provided to connect power to your Touchscreen display from the 12V Monitor port.

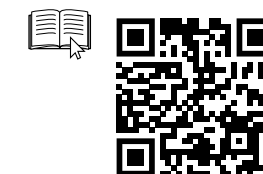
NOTICE Only the Touchscreen provided by Ross Video is supported. Non-touchscreen displays can be used with a mouse and keyboard.

NOTICE The Touchscreen *must* be connected to the control panel before you power up the control panel.



Note: Display Port monitor only. An active converter is required for an HDMI monitor.

Note: It is recommended that you always connect the AC Power Adapter to the device before connecting to Mains Power.

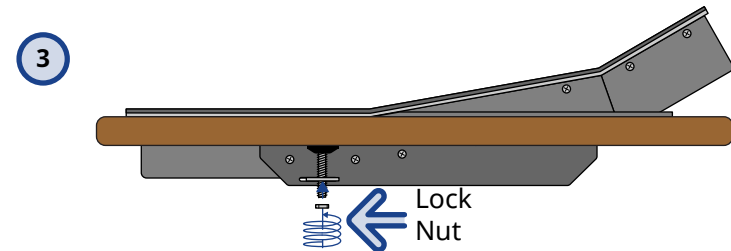
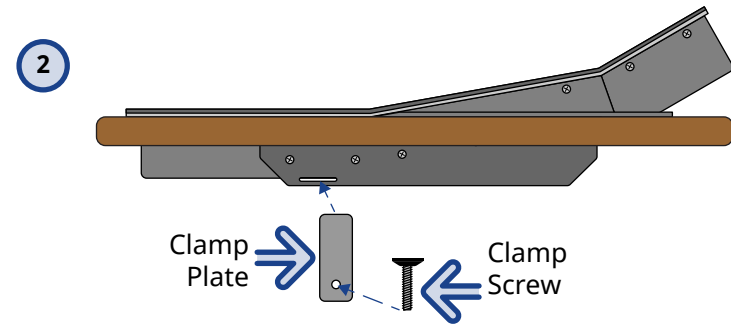
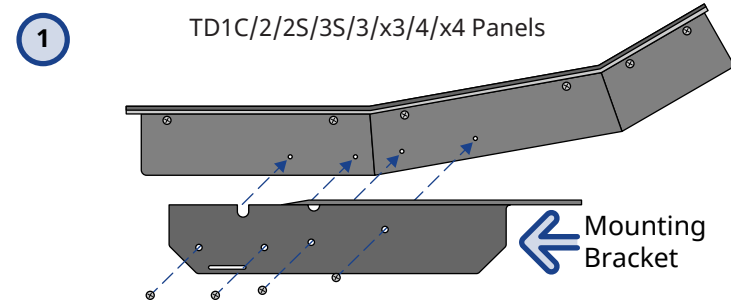
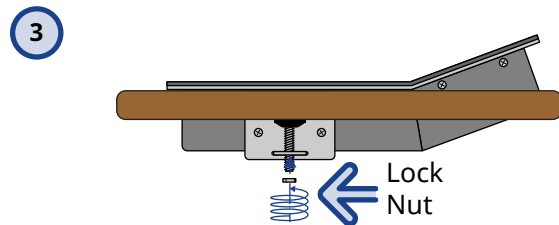
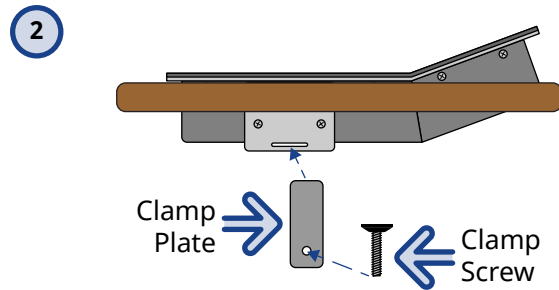
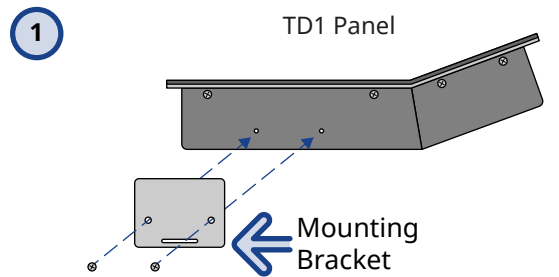


Desk Mounting

Note: The Desk Mounting option available for all panels and is required to properly secure the panel to a desk.

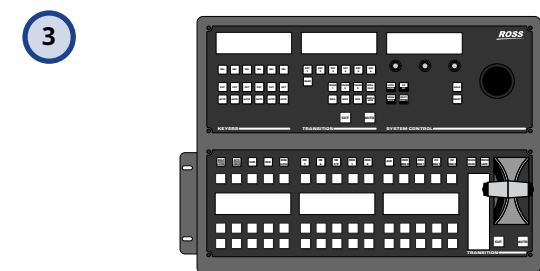
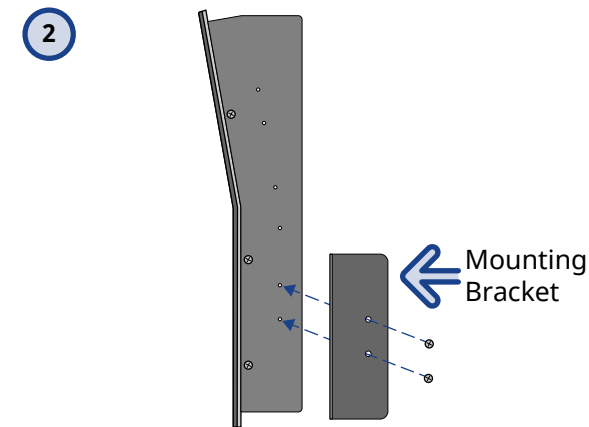
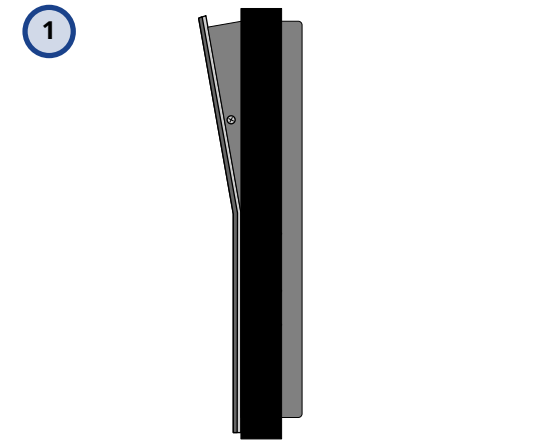
Note: You may have to remove the legs from the control panel to mount it in a desk.

Note: A set of Module Extraction Tools are located in the Desk Mounting Kit. Keep these in a safe place in case you need to replace a module in the future.



TD1C Rack Mounting

Note: The Rack Mounting option is only available for the TD1C panel and is required to properly secure the panel to an equipment rack.



OR

