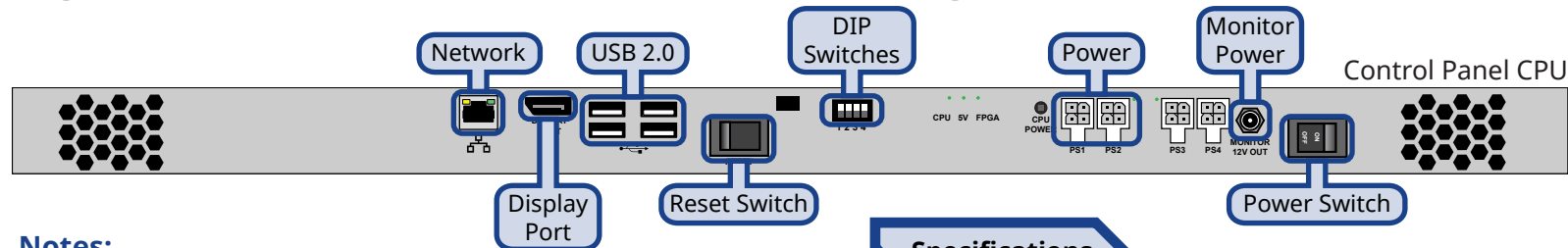


### Panel Ports and Connectors

**NOTICE** The information in this guide applies to the TouchDrive panel HW Revision 03.



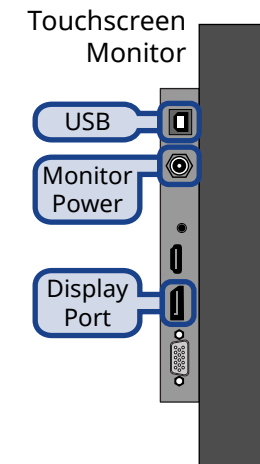
### Notes:

- There is an additional USB 3.0 port on the side of the backplash on some panels. The ports on the back of the panel are all USB 2.0.
- The ports on the TD1C are in a different position, but have the same function.
- Only a single USB drive can be mounted at a time.

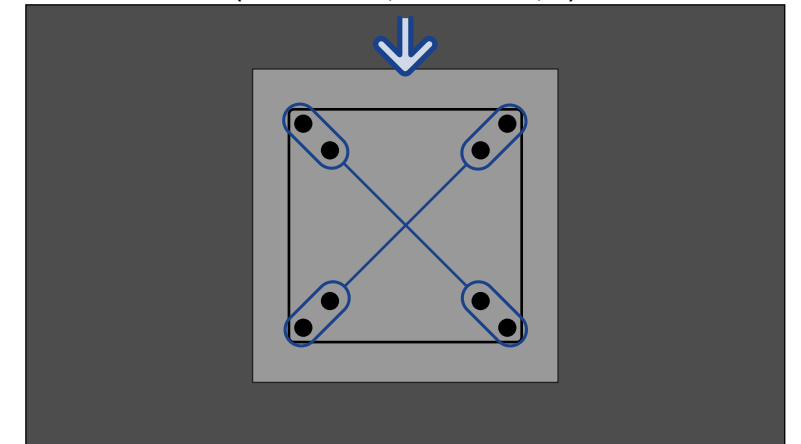
### Specifications

Input Voltages		Power Consumption	
All	100 - 120V~	TD1C	97W 6.47A 15V
	220 - 240V~	TD1	102W 6.80A 15V
	47-63Hz	TD2	123W 8.20A 15V
		TD2S	138W 9.20A 15V
		TD3S	173W 11.53A 15V

### Monitor Ports and Connectors



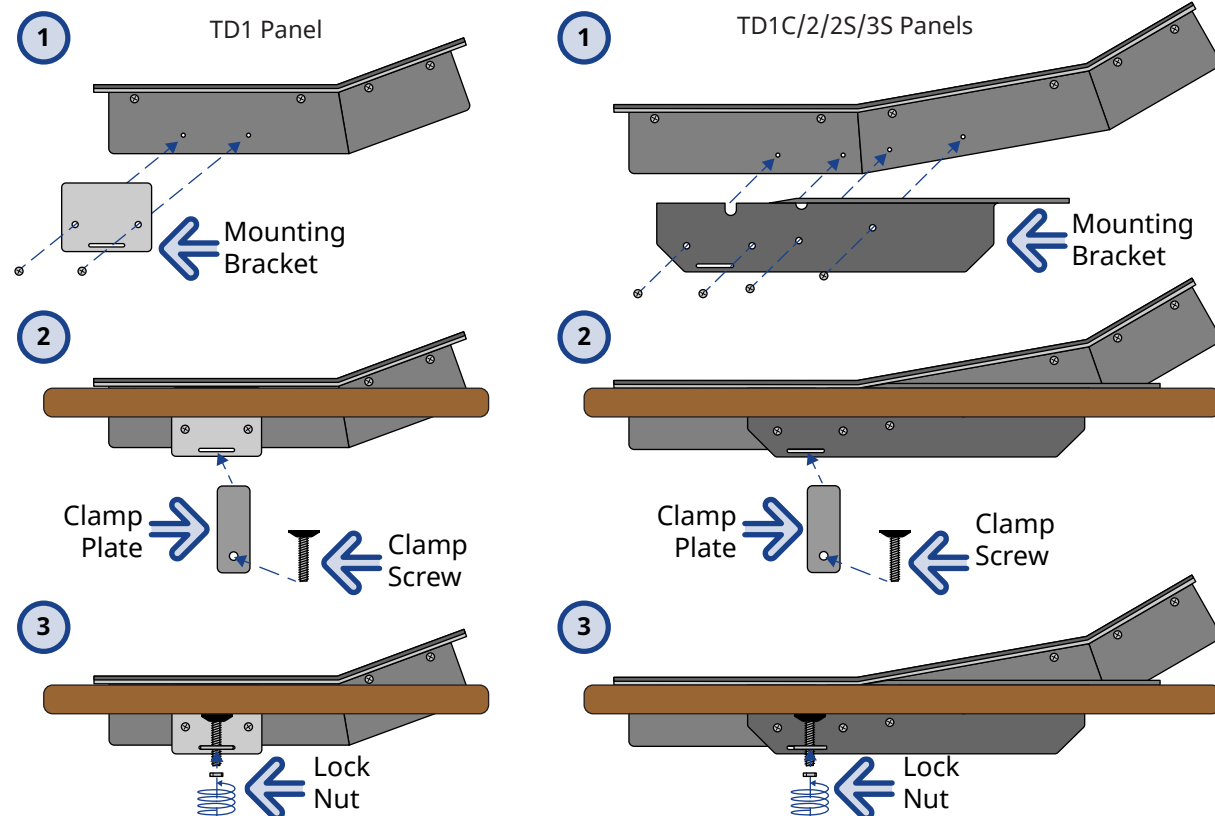
VESA-100 Mount (VESA MIS-D, 75 and 100, C)



### Desk Mounting

**Note:** The Desk Mounting option is required to properly secure the panel to a desk.  
**Note:** You may have to remove the legs from the control panel to mount it in a desk.

**Note:** A set of Module Extration Tools are located in the Desk Mounting Kit. Keep these in a safe place in case you need to replace a module in the future.

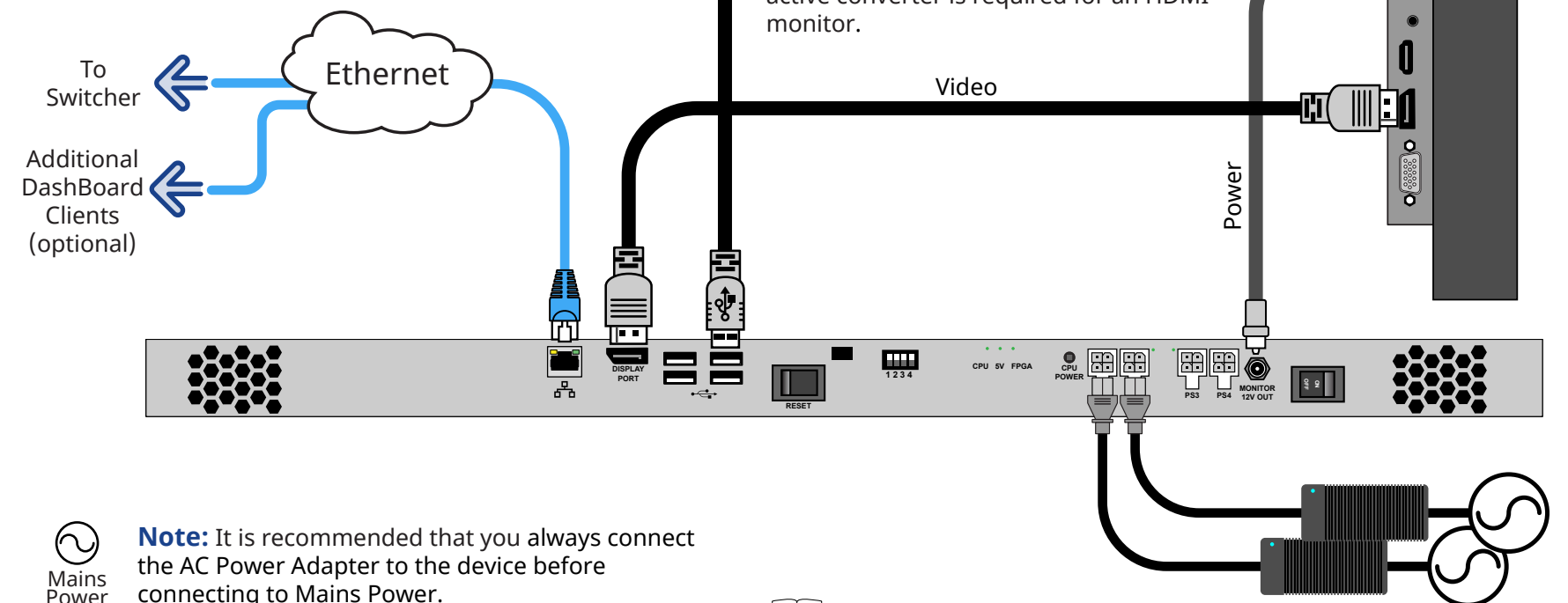


### Cabling

**CAUTION!** Only use the cable provided to connect power to your Touchscreen display from the 12V Monitor port.

**NOTICE** Only the Touchscreen provided by Ross Video is supported. Non-touchscreen displays can be used with a mouse and keyboard.

**NOTICE** The Touchscreen *must* be connected to the control panel before you power up the control panel.



**Note:** It is recommended that you always connect the AC Power Adapter to the device before connecting to Mains Power.

Having a problem? Call our free, 24-hour technical support hotline to speak with a live product specialist located right here in our facility.

Tel: (+1) 613 • 652 • 4886  
 Email: techsupport@rossvideo.com

